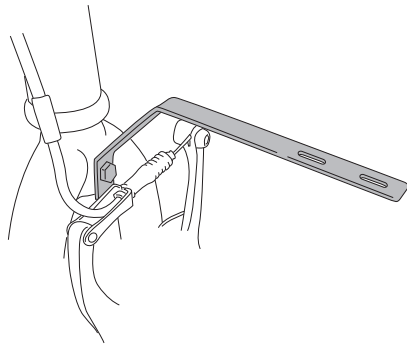
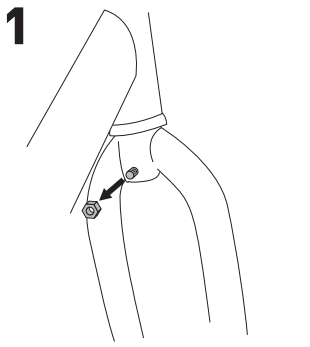
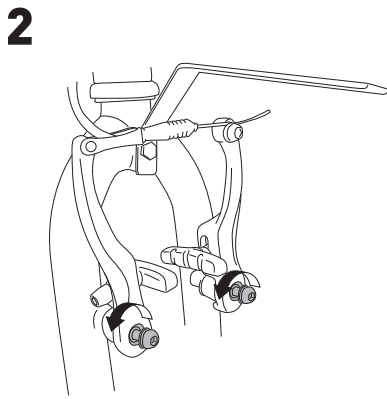


BRAKE MOUNTED BASKET

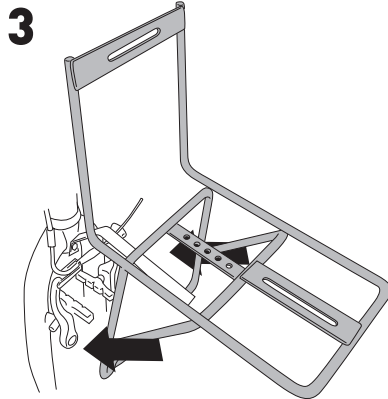


Begin by removing the nut from the bolt on the back of the forks by turning anticlockwise using the spanner provided, and then removing the screw

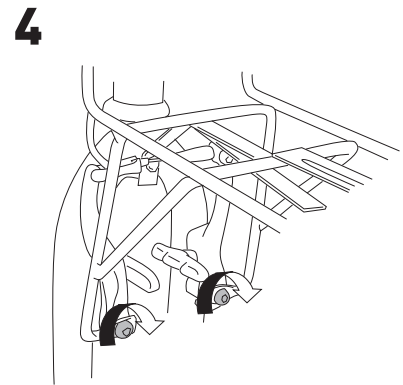
Place the basket support bracket (found in the accessory box) on the front of the fork and replace the nut and bolt, tightening by turning clockwise. If you are installing a front mudguard, this can be done at the same time.



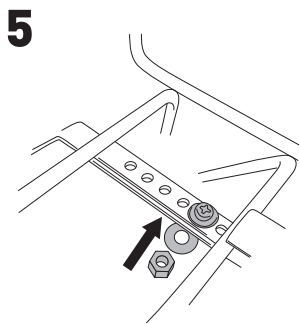
Using the allen key provided, remove the 2 screws from the front of the brake arms by turning anticlockwise.



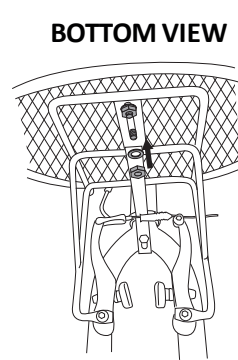
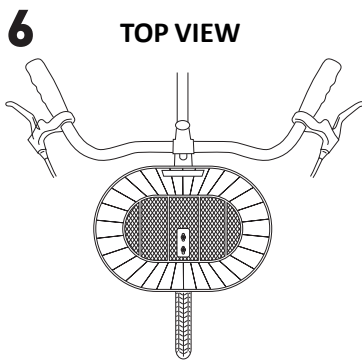
Place the basket holder over the top of the support bracket and line the fixing holes up with the holes in the brake arms.



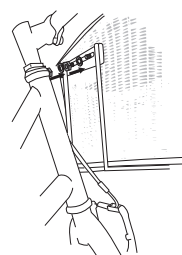
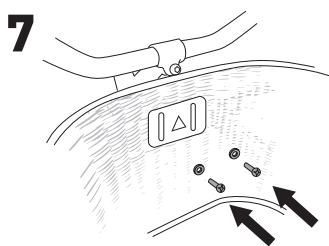
Replace the screws by turning clockwise with the allen key provided. Be careful not to tighten too much, so that the basket holder doesn't affect brake movement.



Screw the basket holder to the support bracket using the nuts, bolts and washers provided as shown. Tighten using tools provided by turning clockwise



Sit the basket on the bracket and line the holes up. Insert the screws, washers and bolts and tighten by turning clockwise using tools provided.



Line the holes up in the back wall of the basket with the bracket. Insert the screws, washers and bolts and tighten by turning clockwise using tools provided.